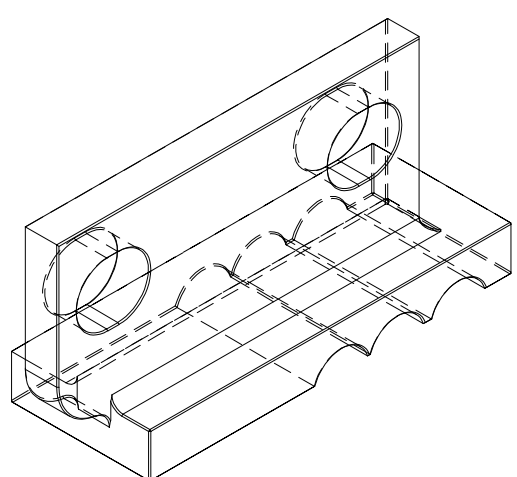


Kein Kantenbruch



Allg. Kantenbruch 0,2x45°

Dept.	Technical reference	Created by <b>Arno Radmacher 09.09.2022</b>	Approved by	
Werkstoff: <b>ST50 gehärtet</b>		Document type	Document status	
		Title <b>Rastwinkel Kramer BG2</b>	DWG No. <b>33 220 01 69</b>	
Rev.	Date of issue	Sheet <b>1/1</b>		